

LV 3

Charge Amplifier for Piezoelectric Pressure Sensors

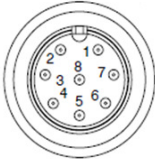
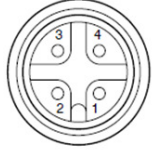
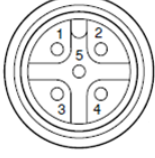
Special characteristics

- Digital charge amplifier for piezoelectric sensors
- Measuring range freely selectable
- Signal output $\pm 10V$
- Ethernet system interface
- Compact, robust design

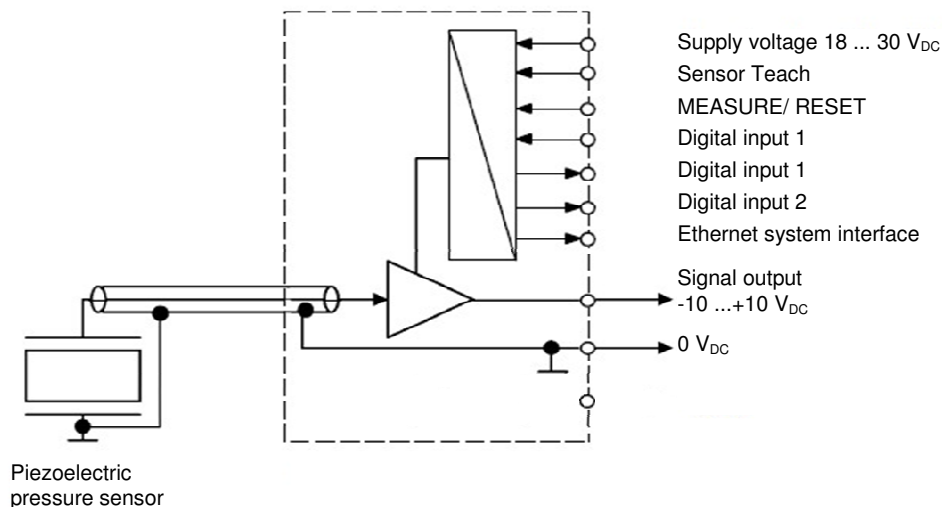


Technical Data		
Charge inputs		1
Measuring range	[pC]	$\pm 50 \dots \pm 600\,000$
Calibrated measuring ranges	[% F _{nom}]	100
Signal output, analogue		
Output voltage	[V]	$-10 \dots +10$
Output voltage limiting	[V]	± 11.5
Max. output current, short-circuit resistant	[mA]	10
Output resistance	[Ω]	< 5
Interference suppression between input and output (GND) (0 ... 1000 Hz)	[dB]	> 60
Output interference signal (0.1 Hz ... 1 MHz); peak-to-peak; over the full measuring range $\pm 50 \dots \pm 600\,000$ pC up to 30 kHz filter frequency	[mV]	< 30
Time from switch-on to stable output values	[ms]	375
Measurement accuracy		
Accuracy class (at 25 °C)	[%]	$< \pm 0.5$
Repeatability (at 25 °C)	[%FS]	$< \pm 0.05$
Reset/Measure (operate) step	[pC]	$< \pm 2$ (typ. < 1)
Drift (at 20°C)	[pC/s]	$< \pm 0.05$
Frequency response of the analogue signal output		
Bandwidth (-3dB)		
measuring range 50 pC up to 32.000 pC	[kHz]	30
measuring range 32.000 pC up to 40.000 pC	[kHz]	24
measuring range 40.000 pC up to 60.000 pC	[kHz]	16
measuring range 60.000 pC up to 80.000 pC	[kHz]	12
measuring range 80.000 pC up to 100.000 pC	[kHz]	9.6
measuring range 100.000 pC up to 120.000 pC	[kHz]	8
measuring range 120.000 pC up to 180.000 pC	[kHz]	5.3
measuring range 180.000 pC up to 250.000 pC	[kHz]	3.8
measuring range 250.000 pC up to 400.000 pC	[kHz]	2.4
measuring range 400.000 pC up to 600.000 pC	[kHz]	1.6
Low-pass filter, up to 20 kHz selectable	[Hz]	1 ... 20000; 30000
Filter characteristics		Bessel, 5 th order
High-pass filter, selectable	[Hz]	0.15; 1.5; Off

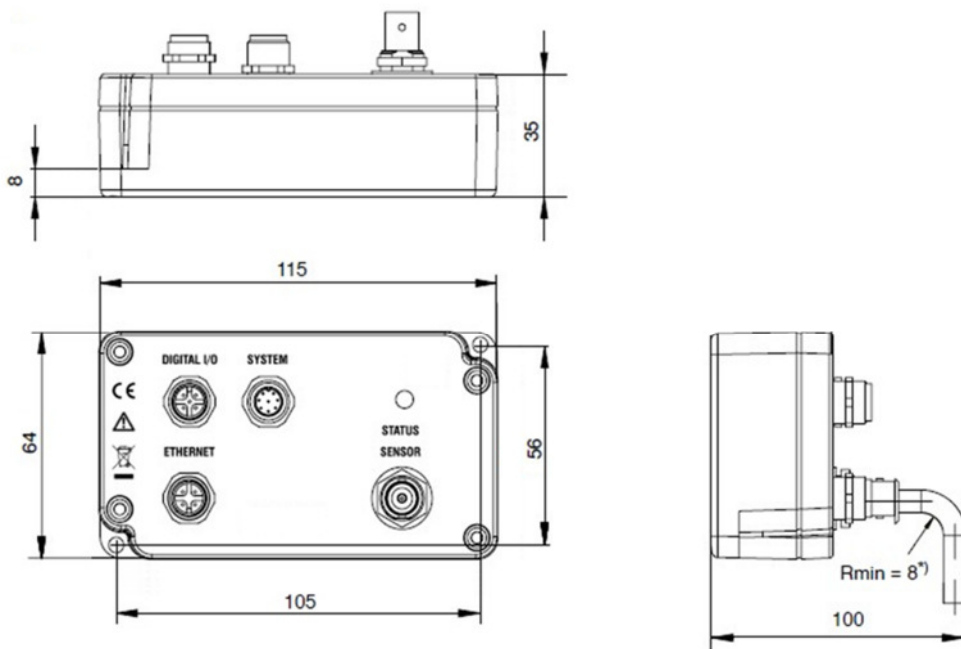
Offset		
Output voltage offset	[V]	± 10
Resolution	[mV]	10
Signal output, digital		
Resolution	[Bit]	12
Accuracy	[%FS]	< ± 1
Sampling rate for peak value acquisition	[kHz]	10
Control signals (electrically isolated)		
Input voltage range		
High	[V]	12 ... 30
Low	[V]	0 ... 5
Input current	[mA]	4 (at 24 V)
LED displays		
IP address not configured		Flashing green–blue
Connection via Ethernet		Constant blue
Measuring		Constant green
Reset		Constant red
Overload		Flashing red–blue
SensorTeach function in the range of 600000 pC		Flashing yellow, 1 Hz
SensorTeach function in the range of 6000 pC		Flashing yellow, 2 Hz
Ready for firmware update		Flashing white, 2 Hz
Bootloader mode		Flashing red, 1 Hz
Connections		
System input/output		M12 plug, pin-compatible with CMA amplifier, 8 pins
Ethernet		M12 socket, 4 pins, with protective cap
Digital input/output		M12 socket, 5 pins, with protective cap
Sensor input		BNC socket
Ethernet communication interface		
System interface for parameterizing the amplifier and transmitting measured values at max. 1 kHz transmission rate		
Transmission protocol	[Mbit/s]	TCP/IP, can be networked per IEEE802
Transfer rate, max	[Mbit/s]	10
Topology (twisted pairs)		2
Connecting socket		M12, socket with protective cap
Cable type		UTP category 5 or shielded twisted pair (STP)
Digital control signals		
System input/output		Voltage supply; Reset/Measure; SensorTeach; Analog output signal
Ethernet input		PC/PLC connection, measured–value streaming
Digital input		
Number		1
Response time	[ms]	0.1
Active input level selectable (High/Low)	[V]	0 or 24
Input voltage range	[V]	0...30
Switching voltages		
Logic high level	[V]	12...30
Logic low level	[V]	0...5
Input current at 24 V, typ	[mA]	4
Reserve polarity protection	[V]	-30...0
Electrical isolation from supply and output Isolation voltage, functional, typ.	[V _{DC}]	100
Latency periods of the electronic digital input.	[ms]	2
Digital output		
Number		2
Switching actions, any combination individually selectable for each output		Limit value switch 1 or 2, overload, manual, system failure, parameter changeover
Response time	[ms]	0.1
Active voltage level selectable for each output (High/Low)	[V]	0 or 24
Output voltage (equal to supply voltage), nom.	[V]	24
Voltage drop with load, max.	[V]	1
Output current at operating temperature	[mA]	350
Short-circuit current, typ.	[A]	0.7
Short-circuit period		Unlimited
Electrical isolation from supply and bus potential isolation, functional, typ.	[V _{DC}]	100
Latency times of the electronic digital outputs	[ms]	2

General data					
Supply voltage				24 (18...30)	
Overvoltage and reverse polarity protection	[V _{DC}]				
Isolation voltage, functional, typ.	[V _{DC}]			100	
Supply current (24 V)	[mA]			120	
Vibration resistance				100	
20...2000 Hz; Duration 16 min; Cycle 2 min.	[m/s ²]				
Impact; Duration 1 ms	[m/s ²]			2000	
Nominal (rated) temperature range (non-condensing)	[°C]			0...60	
Operating temperature range (non-condensing)	[°C]			-40...+80	
Relative humidity (maximum) (non-condensing)	[%]			93, at +40C° ± 2C°	
Dimension (L x W x H)	[mm]			115 x 64 x 35	
Weight	[g]			350	
Housing material				Die-cast aluminium	
Degree of protection, with connected cable or with protective caps				IP60	
EMC conformance					
According to EN61326-1: 2007, EN61326-2-3: 2007		In an industrial environment			
Pin assignment					
Connector plug, system input/output					
Pin No	Signal name	Description	Value	Colour code KAB 168...	
1	ground supply	-	-	wh (white)	
2	not assigned	not assigned	-	bn (brown)	
3	reset	active high	+ 12... +30 V	gn (green)	
4	not assigned	not assigned	-	ye (yellow)	
5	output +	output signal	± 10 V	gy (grey)	
6	output -	output signal ground	-	pk (pink)	
7	not assigned	not assigned	-	bl (blue)	
8	voltage supply	voltage supply between pin 8 and 1	+18 ... +30V	rd (red)	
Ethernet connecting socket					
Pin no.	Signal name				
1	TX +				
2	RX +				
3	TX -				
4	RX -				
Connector plug, digital input / output					
Pin no.	Signal name	Description	Value		
1	VCC	input or output	VCC / 350 mA		
2	digital out	supply for output 1, 2	+18... +30 V		
3	digital out	digital output 2	VCC / 350 mA		
4	digital in	digital input 1	+12... +30 V		
5	ground supply	-	-		

Block diagram



Dimensions (mm)



Accessories (not included in scope of supply)

Name	Length	BDS-order number
Ethernet cable	2 m	BDV4650
Lumberg system cable	10 m	BDV4631

© 2019 BD/SENSORS GmbH – The specifications given in this document represent the state of engineering at the time of publishing. We reserve the right to make modifications to the specifications and materials.