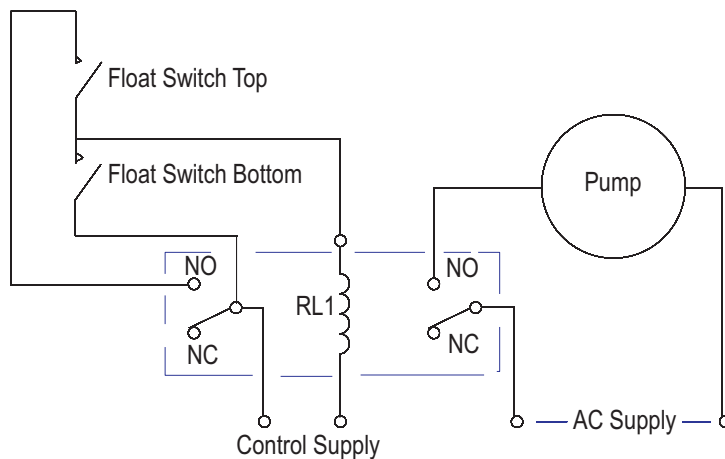


## Liquid Sensor Application Notes



### Pump Control Circuit for Automatic Tank Filling

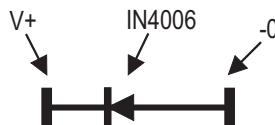
This diagram is for the circuit to fill a tank, using two normally closed float switches and a two pole changeover relay. The bottom switch will be closed provided the liquid is above that switch point. The liquid falls until the lower float switch closes and energises the relay. One set of relay contacts connects the pump to the supply and the other maintains the relay on-state, while the level rises towards the top switch. The relay will be held in the energised state until the top float switch opens, so releasing the relay and cutting off the supply to the pump.



Contact protection measures are advisable to avoid back e.m.f. induced overvoltage transients, which can cause damage to the reed switch contacts

AC Control- It is advisable to fit a 375V bi-directional Transil across the relay coil terminals, if the control voltage is 240Vac.

DC Control - A 1A Silicon diode (IN4006) should be connected across the coil terminals, if the control voltage is DC (see diagram below)



This circuit can also be used for controlling the emptying of a tank, by using normally open float switches and swapping the connections to the two float switches.

Cynergy3 Components Ltd  
7 Cobham Road  
Ferndown Industrial Estate  
Wimborne  
Dorset BH21 7PE  
Tel: +44 (0) 1202 897969  
sales@cynergy3.com  
www.cynergy3.com