

FSU Series Flow Switches

Flow detection switches



- 1/2" and 3/4" NPT thread connections
- 1/2" and 3/4" push fit connections
- Low flow versions available
- Maximum operating pressure 10 bar
- NSF 61 Approved
- Operating temperature rated to 185°F

Technical Specification

Material	NSF approved Acetal
Colour	White
Temp. Range °C	-20 / +85
°F	-4 / +185
Cable	10" (25cm) PVC insulated

Threaded Variants

	FSU12A	FSU12LF	FSU34A	FSU34LF	Approvals
*Must operate US Gal/min (litres/min)	0.53 (2.0)	0.24 (0.9)	0.99 (3.75)	0.47 (1.75)	NSF
#Must release US Gal/min (litres/min)	00.8 (0.3)	0.07 (0.25)	0.37 (1.4)	0.20 (0.75)	NSF

Push Fit Variants

	FSU50A	FSU50LF	FSU75A	FSU75LF	Approvals
*Must operate US Gal/min (litres/min)	0.53 (2.0)	0.24 (0.9)	0.99 (3.75)	0.47 (1.75)	NSF
#Must release US Gal/min (litres/min)	0.08 (0.3)	0.07 (0.25)	0.37 (1.4)	0.20 (0.75)	NSF

- * The switch will have operated (contacts closed) when the flow rate rises above this value.
- # The switch will have released (contacts open) when the flow rate falls below this value.

NB For low flow rate switches the operate and release flow rates only apply when the switch is mounted with the flow direction vertical. The sensitivity of the switch is reduced when mounted with the flow direction horizontal.

Electrical Specification

Contact Form	N/O with no flow	
Switching Power Max	VA	25
Switching Voltage AC Max	V	240
Switching Voltage DC Max	V	120
Switching Current Max	A	0.6

All ratings are resistive load only.

Installation

Flow switches can be mounted with the flow direction horizontal or vertical (upward flow). The cap with cable connection must always be upwards, as the piston is returned to its released position by gravity. When using metal compression fittings to connect flow switches to copper tube, care must be taken not to over-tighten the fittings onto the flow switch body.

CAUTION!

The use of plastic plumbing fittings may affect the electrical earth continuity bonding as required by IEE regulations. If in doubt, consult a qualified electrician.

These flow switches are designed for use in liquid flow systems at pressures up to 10 bar and temperatures up to 85°C.

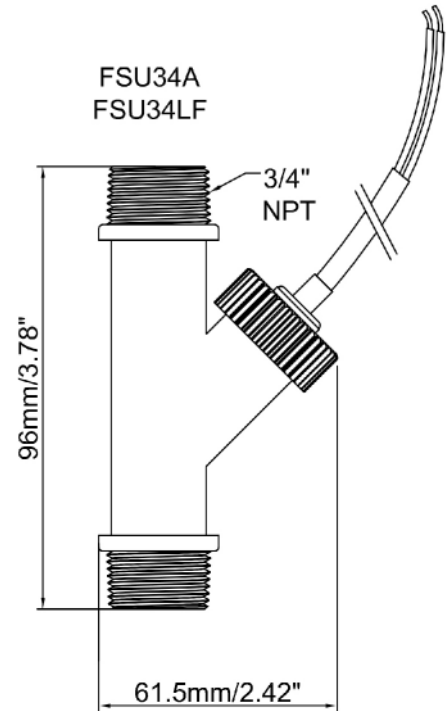
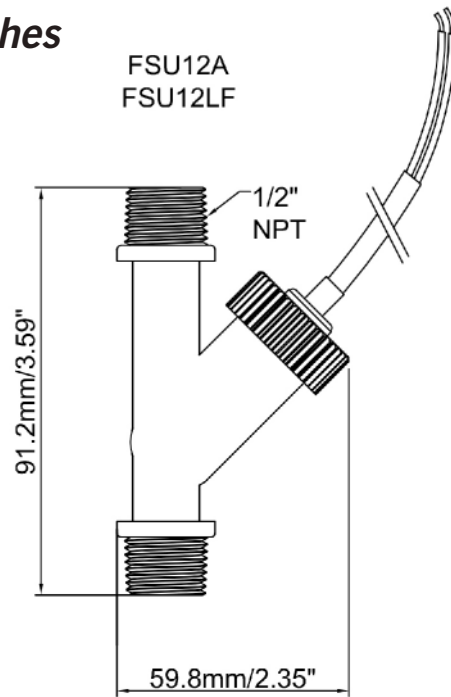
The design is based around a moving magnet and a fixed reed switch with a low flow restriction.

The switches are designed to be used in liquids only and should not be used in systems with significant amounts of solid particles.

Custom versions can be made for particular applications.

FSU Series Flow Switches

Flow detection switches



Mechanical Dimensions

All dimensions are in millimeters (inches)

