

## | SC-420TWHL

### mA & VOLTAGE INPUT ISOLATING TERMINALS



The SC-420TWHL series of isolating terminal blocks can replace standard DIN-Rail terminal to provide input isolation, signal conversion and excellent RFI and noise rejection.

The units are powered from the output side, making them ideal for plc and data acquisition applications.

Inputs for the SC-420TWHL include mA or Voltage and other units are available with thermocouple, mV or RTD inputs. The standard output is 4-20mA.

The SC-420TWHL units are housed in ultra compact DIN-rail mounted enclosures just 18mm wide.

### Features

- Replace Standard DIN-Rail Terminals
- RFI Protection, Input Isolation
- Voltage or Current Inputs
- Simple 2 Wire 4-20mA Output
- Loop Powered Output Gives High Noise Immunity
- Low Cost Solution

### Input Options

The range of inputs for the SC-420TWHL are as follows:

Standard Ranges are 4-20mA, 0-20mA, 0-10V and 1-5V

The unit can cover the following ranges:

Input Types	Input Range MIN	Input Range MAX
DC Current	0 - 100 $\mu$ A	0 - 5A
DC Voltage	0 - 100mV	0 - 100V

## Technical

Parameter	Min	Typ	Max	Comments
<b>Supply Voltage</b>	10V	24V	32V	Powered from Output Side
<b>Input Current</b>	0mA	0-20mA	30mA	
<b>Full Scale Volt Drop</b>		0.2V	0.3V	On Input Side (20mA Input)
<b>Input Impedance (Volt In)</b>		1MΩ		Voltage Input
<b>Input Impedance (mA In)</b>		10MΩ		mA Input
<b>Output Linearity Error</b>		±0.01%		
<b>Temp Coefficient</b>			100ppm/°C	
<b>Load Resistance Error</b>			±5ppm/Ω	0 < R <sub>L</sub> < 600Ω
<b>Time Constant (10-90%)</b>		30mS		300mS for Thermocouple Input
<b>Operating Ambient</b>	-15°C		70°C	
<b>Relative Humidity</b>	0%		90%	
<b>Isolation Voltage</b>	1kV			
<b>Surge Voltage</b>	2.5kV for 50μS	Transient of 10kV/μS		

Notes: Absolute maximum ratings indicate sustained limits beyond which damage to the device may occur. Device is protected against reverse polarity connection. Accuracy figures based on 0-20mA input, 250Ω load resistance, and an ambient temperature of 20°C.

## Installation Data

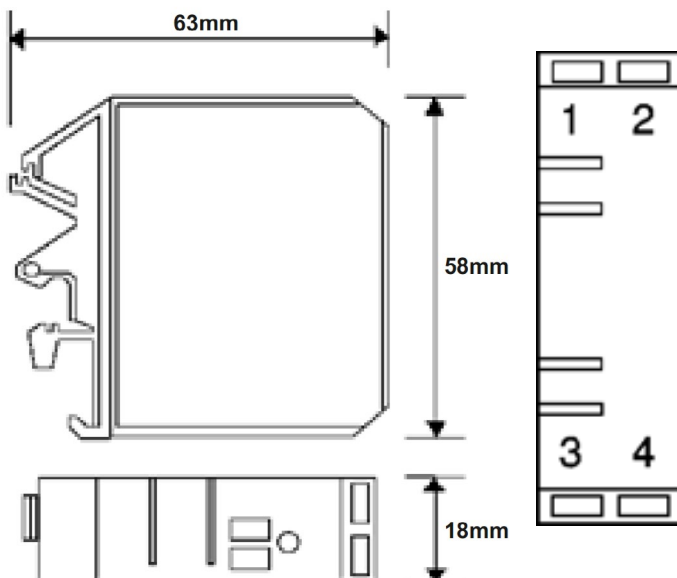
<b>Mounting</b>	DIN Rail TS35
<b>Orientation</b>	Any
<b>Connections</b>	Screw Clamp with pressure plate
<b>Conductor Size</b>	0.5-4.0mm
<b>Insulation Stripping</b>	12mm
<b>Weight</b>	Approx 50g

## Connection Details

1. Output Channel +ve
2. Output Channel -ve
3. Input Channel +ve
4. Input Channel -ve

## DIMENSIONS

All dimensions are in millimeters.





Please supply

**Part Number** SC-420TWHL 4-20mA In 4-20mA Out

Made in the UK

Page 3

Sensata Technologies, Inc. ("Sensata") data sheets are solely intended to assist designers ("Buyers") who are developing systems that incorporate Sensata products (also referred to herein as "components"). Buyer understands and agrees that Buyer remains responsible for using its independent analysis, evaluation and judgment in designing Buyer's systems and products. Sensata data sheets have been created using standard laboratory conditions and engineering practices. Sensata has not conducted any testing other than that specifically described in the published documentation for a particular data sheet. Sensata may make corrections, enhancements, improvements and other changes to its data sheets or components without notice.

Buyers are authorized to use Sensata data sheets with the Sensata component(s) identified in each particular data sheet. HOWEVER, NO OTHER LICENSE, EXPRESS OR IMPLIED, BY ESTOPPEL OR OTHERWISE TO ANY OTHER SENSATA INTELLECTUAL PROPERTY RIGHT, AND NO LICENSE TO ANY THIRD PARTY TECHNOLOGY OR INTELLECTUAL PROPERTY RIGHT, IS GRANTED HEREIN. SENSATA DATA SHEETS ARE PROVIDED "AS IS". SENSATA MAKES NO WARRANTIES OR REPRESENTATIONS WITH REGARD TO THE DATA SHEETS OR USE OF THE DATA SHEETS, EXPRESS, IMPLIED OR STATUTORY, INCLUDING ACCURACY OR COMPLETENESS. SENSATA DISCLAIMS ANY WARRANTY OF TITLE AND ANY IMPLIED WARRANTIES OF MERCHANTABILITY, FITNESS FOR A PARTICULAR PURPOSE, QUIET ENJOYMENT, QUIET POSSESSION, AND NON-INFRINGEMENT OF ANY THIRD PARTY INTELLECTUAL PROPERTY RIGHTS WITH REGARD TO SENSATA DATA SHEETS OR USE THEREOF.

All products are sold subject to Sensata's terms and conditions of sale supplied at [www.sensata.com](http://www.sensata.com) SENSATA ASSUMES NO LIABILITY FOR APPLICATIONS ASSISTANCE OR THE DESIGN OF BUYERS' PRODUCTS. BUYER ACKNOWLEDGES AND AGREES THAT IT IS SOLELY RESPONSIBLE FOR COMPLIANCE WITH ALL LEGAL, REGULATORY AND SAFETY-RELATED REQUIREMENTS CONCERNING ITS PRODUCTS, AND ANY USE OF SENSATA COMPONENTS IN ITS APPLICATIONS, NOTWITHSTANDING ANY APPLICATIONS-RELATED INFORMATION OR SUPPORT THAT MAY BE PROVIDED BY SENSATA.

Mailing Address: Sensata Technologies, Inc., 529 Pleasant Street, Attleboro, MA 02703, USA.

### CONTACT US

+44 (0)1202 897969  
c3w\_sales@sensata.com  
Cynergy3 Components Ltd.  
7 Cobham Road,  
Ferndown Industrial Estate,  
Wimborne, Dorset,  
BH21 7PE, United Kingdom