

# SSH66XE Series

## Switch for 3/4"NPT External Fitting



SSH66XE are externally mounted horizontal float switches with 3/4"NPT thread.. The float is of 316L Stainless Steel and the stem is of 304 Stainless Steel.

These devices are easily mounted, using 3/4"NPT, without needing internal access to the tank/vessel into which they are being fitted.

These are available with either 1 metre flying leads or with a DIN43650 connector.

The switch action may be reversed by mounting the device with the float able to move upwards away from the body, instead of the more normal downwards direction.

- External Mount (3/4"NPT)
- Operating Temperature to 120°C
- Stainless Steel 316L Float
- Connection with DIN 43650 Plug or 100cm wires
- N/O or N/C switch action

### Technical Specification

Mounting style	External	Cable length - standard	100cm/Plug
Mounting thread	3/4"NPT	Cable size	17/0.10 - AWG22
Float & Stem material	316/304grade SS	Cable conductor material	Tinned copper
Maximum Temperature	120°C	Cable sheath material	XLPE
Maximum pressure	10 bar	Cable temperature rating	125°C
Float SG	0.7	Sealing gasket	Not supplied
Minimum fluid SG	0.75	Tightening torque for fixing nut	2.0kg/cm

### Electrical Specification

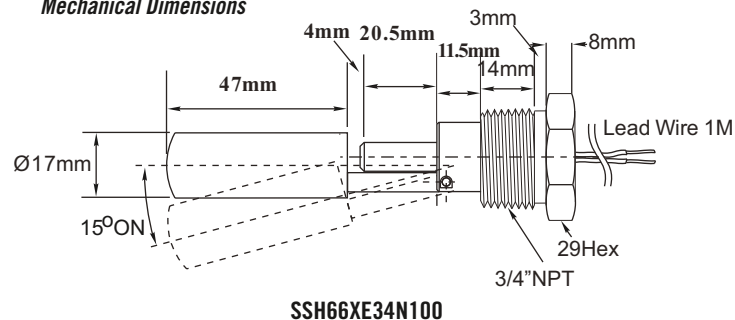
Contact Form		N/O (N/C)
Switching Power Max	VA	50
Switching Voltage AC Max	V	300
Switching Voltage DC Max	V	300
Switching Current Max	A	0.5

All ratings are for resistive load only.

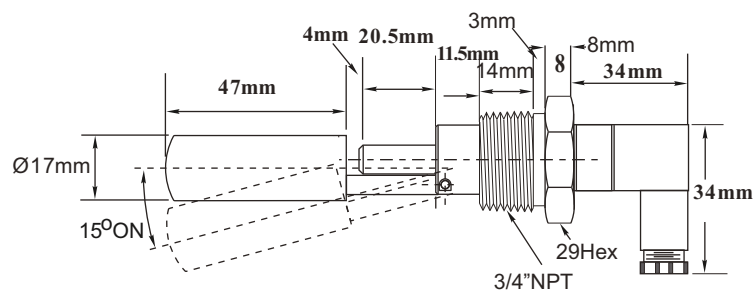
Standard Parts	Stem Material	Float Material	Max Power	Leadouts
SSH66XE34N100	304SS	316SS	50VA	100cm XLPE 17/0.1
SSH66XE34NP	304SS	316SS	50VA	DIN connector

Custom versions can be made for particular applications. Please contact Cynergy3 with your requirements.

### Mechanical Dimensions



SSH66XE34N100



SSH66XE34NP

Cynergy3 Components Ltd.  
7 Cobham Road  
Ferndown Industrial Estate  
Wimborne, Dorset BH21 7PE, UK  
Telephone: +44 (0)1202 897969  
Email: c3w\_sales@sensata.com

ISO9001 CERTIFIED

cynergy3-ssh66xe-v2



Made in the UK

www.cynergy3.com