



**| MS SERIES**  
WRAS APPROVED



The MS series of cable end float switches are designed for controlling levels in large tanks, cisterns or reservoirs and can be directly installed on submersible pumps.

The casing is manufactured in blow moulded Polyethylene (PEHD), with 5m cable with protective earth conductor as standard. The switching element is a microswitch, with UL, VDE and CENELEC approvals, activated by a moving stainless steel ball and having an electrical life of 200,000 operations. Non hygroscopic closed cell expanded polyurethane is injected around the switch housing within the outer casing, hermetically sealing the unit.

These switches are capable of working down to 100 metres depth in water.

**Features**

- Direct power switching
- Cable mounting
- WRAS Approved
- 100 metre depth capability

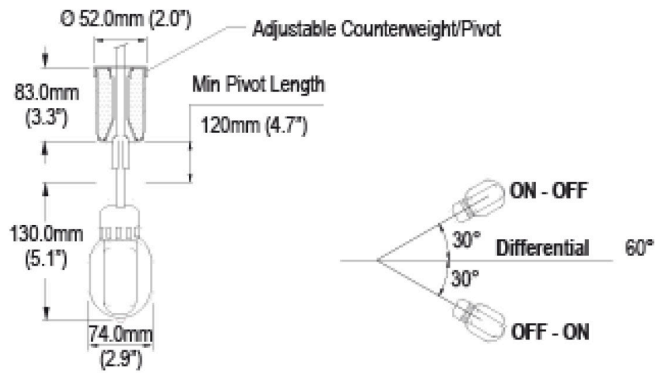
**● SPECIFICATIONS**

**Technical**

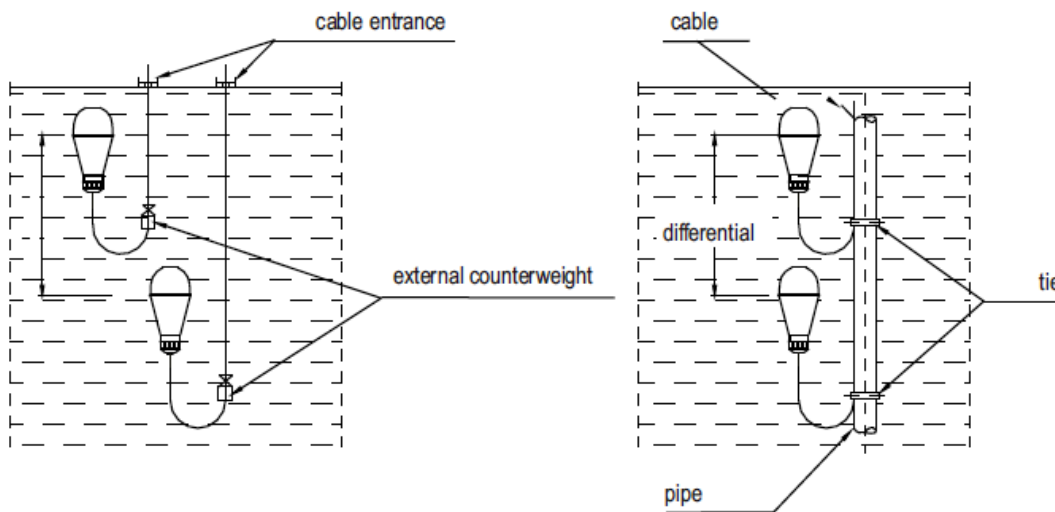
		MS10AW	MS10BW	MS10CW	MS20AW	MS20BW	MS20CW
<b>Contact Form</b>		N/O	N/C	C/O	N/O	N/C	C/O
<b>Switching Current Max. Resistive</b>		10A	10A	10A	10A	10A	10A
<b>Switching Current Max. Inductive</b>	<b>AC</b>	4A	4A	4A	8A	8A	8A
	<b>DC</b>	1A	1A	1A	2A	2A	2A
<b>Power Rating Max</b>	<b>AC VA</b>	750	750	750	1500	1500	1500
	<b>DC W</b>	24	24	24	48	48	48
<b>Switching Voltage Max</b>	<b>AC V</b>	250					
	<b>DC V</b>	24					
<b>Cable Material</b>		WRAS approved					
<b>Cable Length</b>		5m with protective earth wire included					
<b>Body Material</b>		High Desensity Polyethylene					
<b>Temp. Range</b>	<b>°C</b>	0/ +45 (WRAS approved for use up to +23 °C)					
	<b>°F</b>	+32 / +113					
<b>Max. Working Pressure</b>	<b>Bar</b>	10					

## DIMENSIONS

All dimensions are in millimeters.



## INSTALLATION



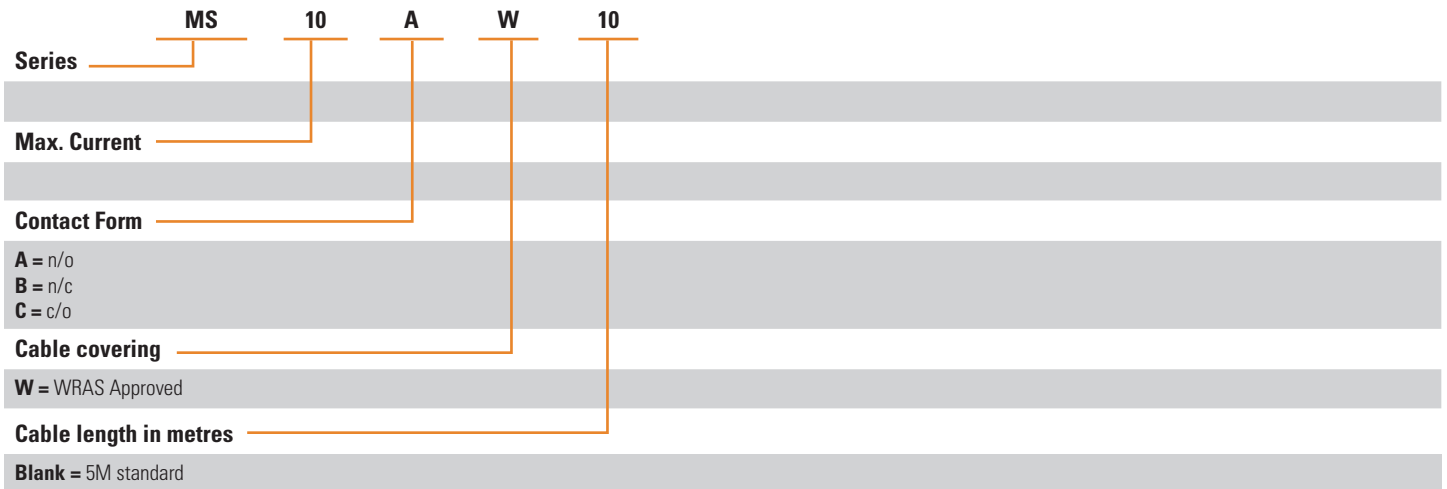
## Wiring Detail

Contact Form	Contact Type	Wires	
<b>A</b>	Normally open	Brown/Black	
<b>B</b>	Normally closed	Brown/Blue	
<b>C</b>	Changeover	Brown/Black	Normally Open
		Brown/Blue	Normally Closed

Note. "Normally" means "No Liquid Present"

# ORDERING OPTIONS

Example : MS10AW10



Datasheets provided by Sensata Technologies, Inc., its subsidiaries and/or affiliates ("Sensata") are solely intended to assist third parties ("Buyers") who are developing systems that incorporate Sensata products (also referred to herein as "components"). Buyer understands and agrees that Buyer remains responsible for using its independent analysis, valuation, and judgment in designing Buyer's systems and products. Sensata datasheets have been created using standard laboratory conditions and engineering practices. Sensata has not conducted any testing other than that specifically described in the published documentation for a particular datasheet. Sensata may make corrections, enhancements, improvements, and other changes to its datasheets or components without notice.

Buyers are authorized to use Sensata datasheets with the Sensata component(s) identified in each particular datasheet. HOWEVER, NO OTHER LICENSE, EXPRESS OR IMPLIED, BY ESTOPPEL OR OTHERWISE TO ANY OTHER SENSATA INTELLECTUAL PROPERTY RIGHT, AND NO LICENSE TO ANY THIRD PARTY TECHNOLOGY OR INTELLECTUAL PROPERTY RIGHT, IS GRANTED HEREIN. SENSATA DATASHEETS ARE PROVIDED "AS IS". SENSATA MAKES NO WARRANTIES OR REPRESENTATIONS WITH REGARD TO THE DATASHEETS OR USE OF THE DATASHEETS, EXPRESS, IMPLIED, OR STATUTORY, INCLUDING ACCURACY OR COMPLETENESS. SENSATA DISCLAIMS ANY WARRANTY OF TITLE AND ANY IMPLIED WARRANTIES OF MERCHANTABILITY, FITNESS FOR A PARTICULAR PURPOSE, QUIET ENJOYMENT, QUIET POSSESSION, AND NON-INFRINGEMENT OF ANY THIRD PARTY INTELLECTUAL PROPERTY RIGHTS WITH REGARD TO SENSATA DATASHEETS OR USE THEREOF.

All products are sold subject to Sensata's terms and conditions of sale supplied at [www.sensata.com](http://www.sensata.com). SENSATA ASSUMES NO LIABILITY FOR APPLICATIONS ASSISTANCE OR THE DESIGN OF BUYERS' PRODUCTS. BUYER ACKNOWLEDGES AND AGREES THAT IT IS SOLELY RESPONSIBLE FOR COMPLIANCE WITH ALL LEGAL, REGULATORY, AND SAFETY-RELATED REQUIREMENTS CONCERNING ITS PRODUCTS, AND ANY USE OF SENSATA COMPONENTS IN ITS APPLICATIONS, NOTWITHSTANDING ANY APPLICATIONS- RELATED INFORMATION OR SUPPORT THAT MAY BE PROVIDED BY SENSATA.

Mailing Address: Sensata Technologies, Inc., 529 Pleasant Street, Attleboro, MA 02703, USA

## CONTACT US

**Sensata Technologies**  
 Jan Tinbergenstraat 80  
 7559 SP Hengelo  
 The Netherlands  
 1-508-236-3800  
 +44 (0)1202 897969  
[cynergy3.enquiries@sensata.com](mailto:cynergy3.enquiries@sensata.com)